

THE **BOEING** COMPANY
TRANSPORT DIVISION · P. O. BOX 707 · RENTON, WASHINGTON

DOCUMENT TITLE PAGE

DOCUMENT NO. D6-4520

TITLE INTERIOR DECORATIVE MATERIALS USED IN THE

707, 720 and 727 MODEL AIRPLANES

MODEL ALL PURCHASE AGREEMENT NO. _____

ISSUE NO. _____ TO _____ DATE 1-17-63

(EXCLUDING TITLE AND REVISION
AND ADDITION PAGES)

NO. OF PAGES _____

PREPARED BY G. RASMUSSEN

SUPERVISED BY STAN KAY *Stan Kay 1-16-63*

APPROVED BY *J. B. Shaw 1-15-63*

W. H. Wick 1-16-63

(DATE)

MODEL ALL DOCUMENT NO. D6-4520

TITLE INTERIOR DECORATIVE MATERIALS USED IN THE 707, 720 & 727 MODEL AIRPLANES

REVISIONS						ADDITIONS	
PAGE	DATE	PAGE	DATE	PAGE	DATE	PAGE	DATE

THE BOEING COMPANY

DOCUMENT NO. D6-4520
INTERIOR DECORATIVE MATERIALS
USED IN THE
707, 720 & 727 MODEL AIRPLANES

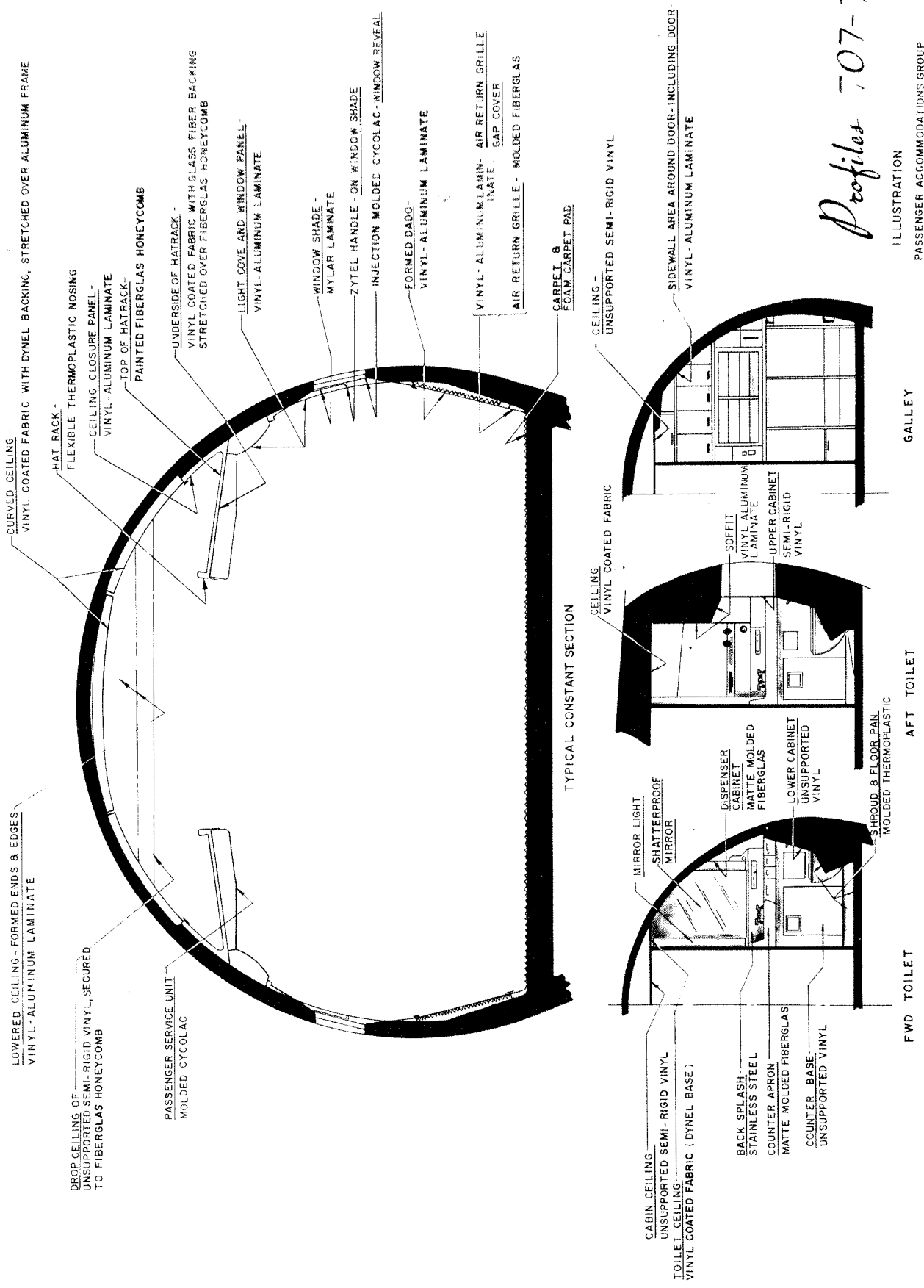
Prepared by
The Engineering Department of
The Boeing Company's Transport Division
Renton, Washington

FOREWORD

This document was prepared to define typical interior decorative materials used on Boeing Models 707, 720 and 727.

The illustrations and charts are to be used to define and locate where the various materials are used.

The materials as listed do not indicate the nature of the material to which the decorative materials are applied; excepting in the case of the Vinyl-Aluminum Laminates which are purchased with the vinyl already bonded to the aluminum.



CURVED CEILING - VINYL COATED FABRIC WITH DYNEL BACKING, STRETCHED OVER ALUMINUM FRAME

LOWERED CEILING - FORMED ENDS & EDGES - VINYL-ALUMINUM LAMINATE

HAT RACK - FLEXIBLE THERMOPLASTIC NOSING
CEILING CLOSURE PANEL - VINYL-ALUMINUM LAMINATE
TOP OF HATRACK - PAINTED FIBERGLAS HONEYCOMB

DROP CEILING OF UNSUPPORTED SEMI-RIGID VINYL, SECURED TO FIBERGLAS HONEYCOMB

UNDERSIDE OF HATRACK - VINYL COATED FABRIC WITH GLASS FIBER BACKING STRETCHED OVER FIBERGLAS HONEYCOMB

PASSENGER SERVICE UNIT MOLDDED CYCLOAC

LIGHT COXE AND WINDOW PANEL - VINYL-ALUMINUM LAMINATE

WINDOW SHADE - MYLAR LAMINATE

ZYTEL HANDLE - ON WINDOW SHADE

INJECTION MOLDDED CYCLOAC - WINDOW REVEAL

FORMED DADO - VINYL-ALUMINUM LAMINATE

VINYL-ALUMINUM LAMINATE - AIR RETURN GRILLE INATE GAP COVER

AIR RETURN GRILLE - MOLDDED FIBERGLAS

CARPET & FOAM CARPET PAD

TYPICAL CONSTANT SECTION

CEILING - UNSUPPORTED SEMI-RIGID VINYL

CEILING - VINYL COATED FABRIC

CABIN CEILING - UNSUPPORTED SEMI-RIGID VINYL
TOILET CEILING - VINYL COATED FABRIC (DYNEL BASE)

BACK SPLASH - STAINLESS STEEL
COUNTER APRON - MATTE MOLDDED FIBERGLAS
COUNTER BASE - UNSUPPORTED VINYL

DISPENSER CABINET - MATTE MOLDDED FIBERGLAS
LOWER CABINET - UNSUPPORTED VINYL

SOFFIT - VINYL-ALUMINUM LAMINATE
UPPER CABINET - SEMI-RIGID VINYL

SIDEWALL AREA AROUND DOOR - INCLUDING DOOR - VINYL-ALUMINUM LAMINATE

SHROUD & FLOOR PAN - MOLDDED THERMOPLASTIC

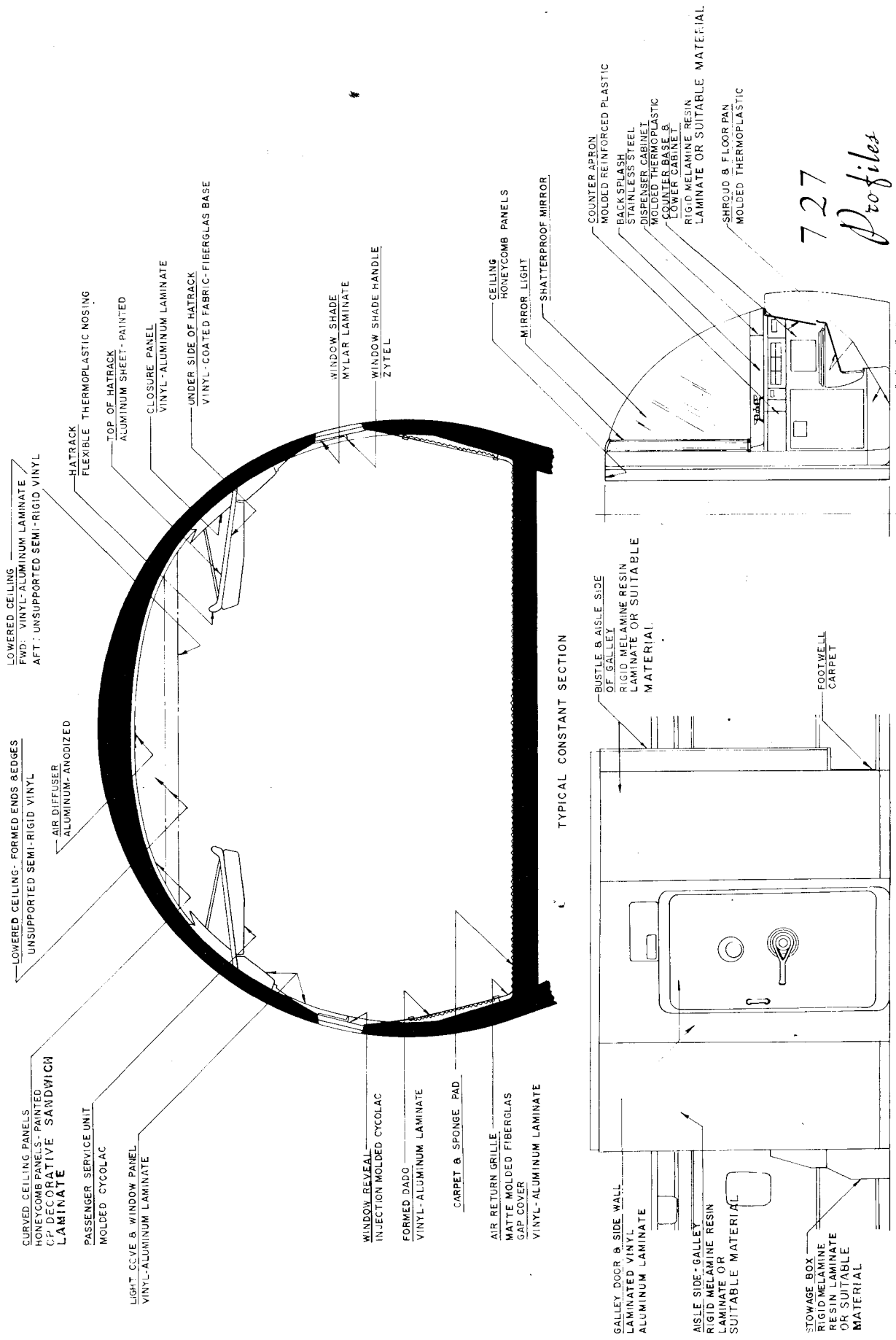
FWD TOILET

AFT TOILET

GALLEY

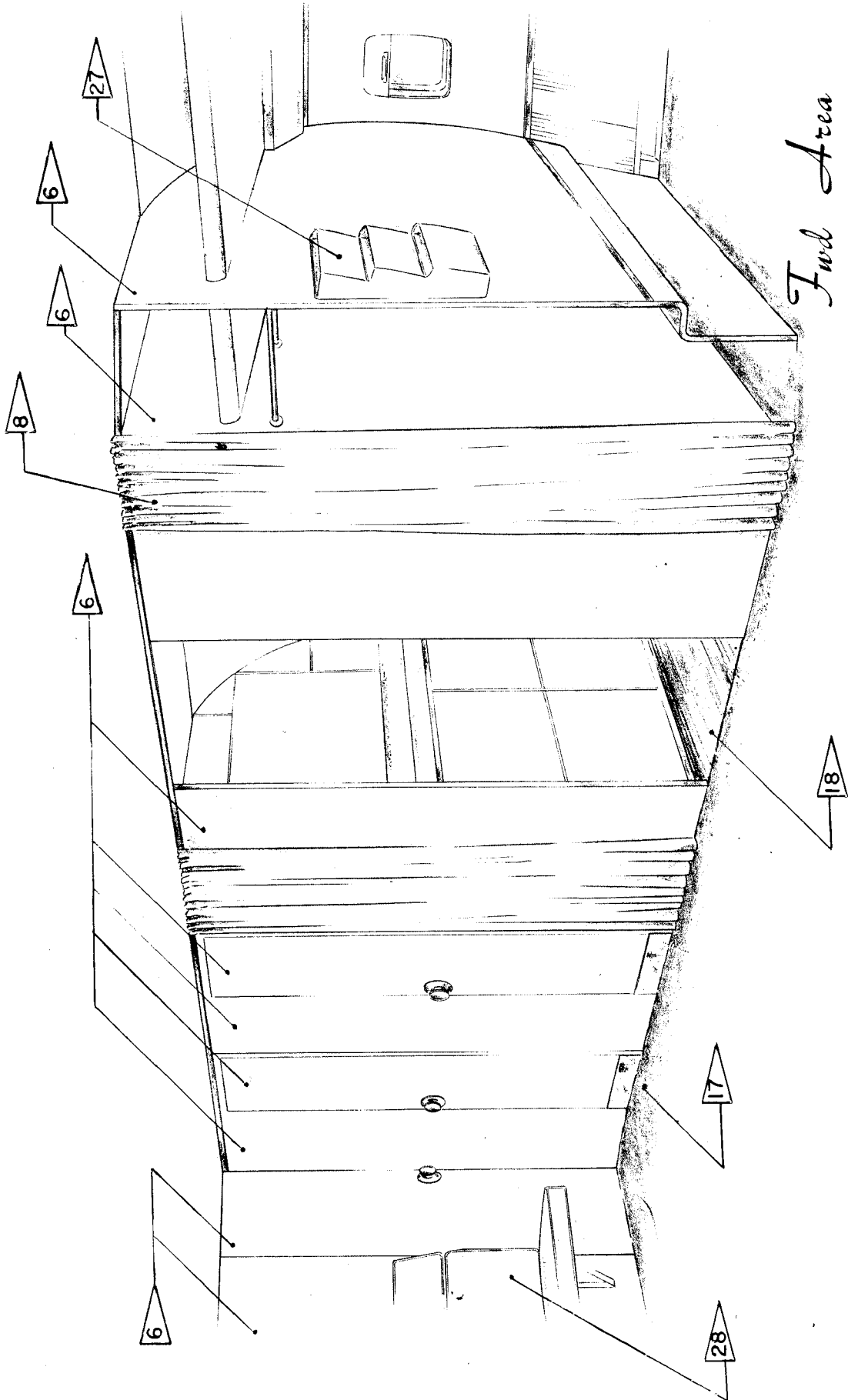
Profiles 707-720

ILLUSTRATION
PASSENGER ACCOMMODATIONS GROUP



727
Profiles

ILLUSTRATION BY PASSENGER ACCOMMODATIONS

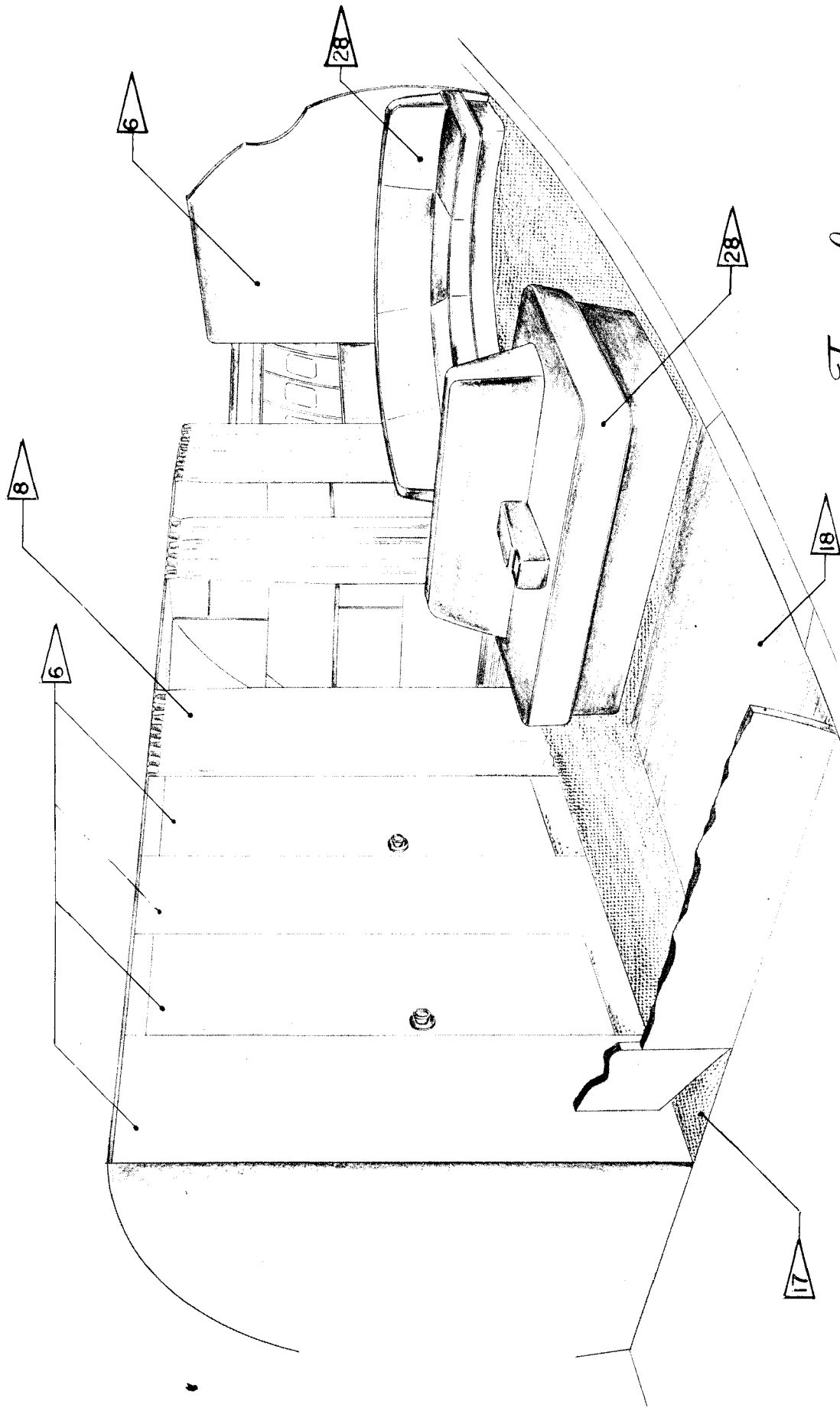


Forward Area

LOOKING FORWARD

ILLUSTRATION

BY PASSENGER ACCOMMODATIONS

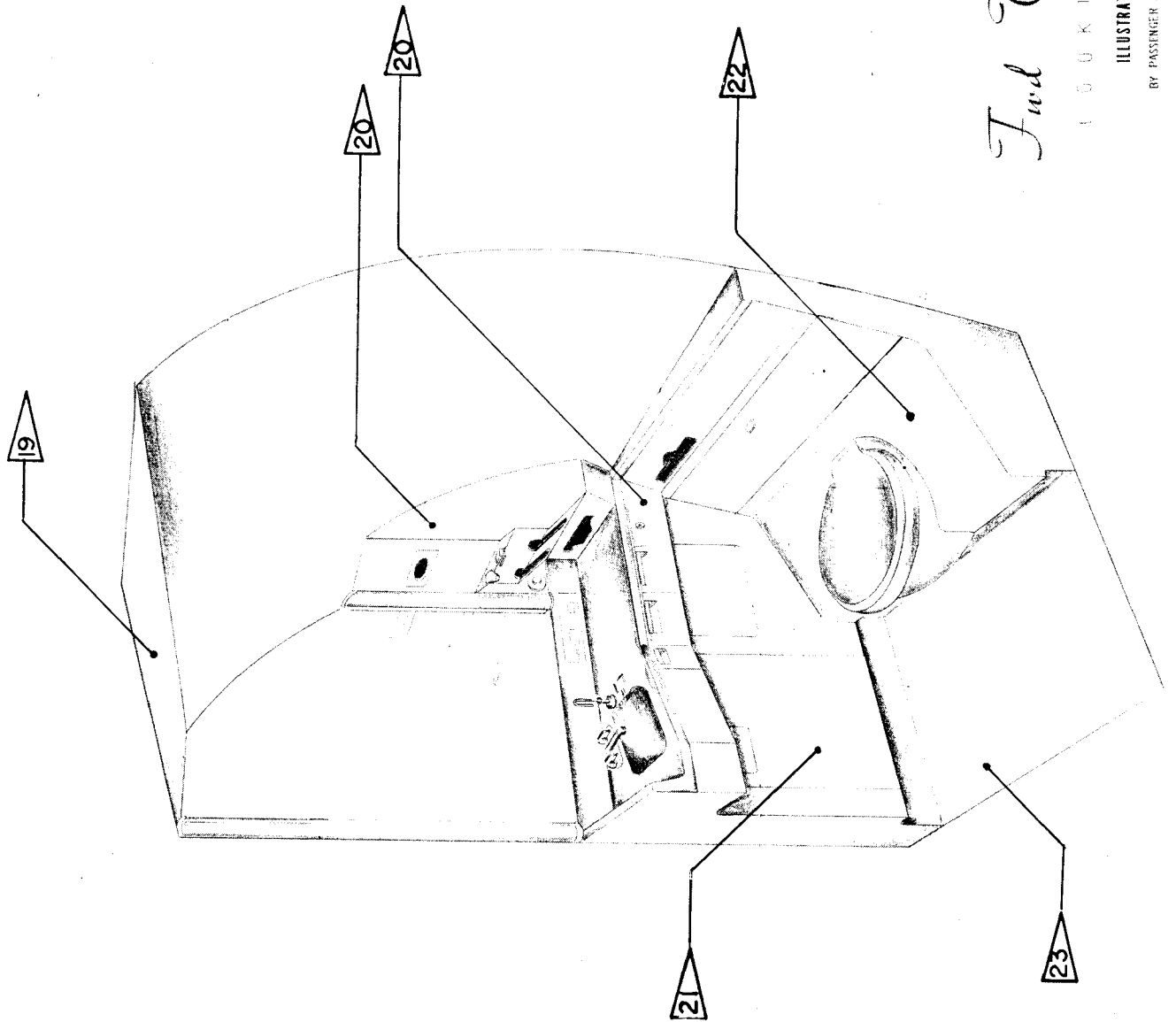


Food Lounge

LOOKING AFT

ILLUSTRATION

BY PASSENGER ACCOMMODATIONS



Fwd Toilet

LOOKING FWD

ILLUSTRATION

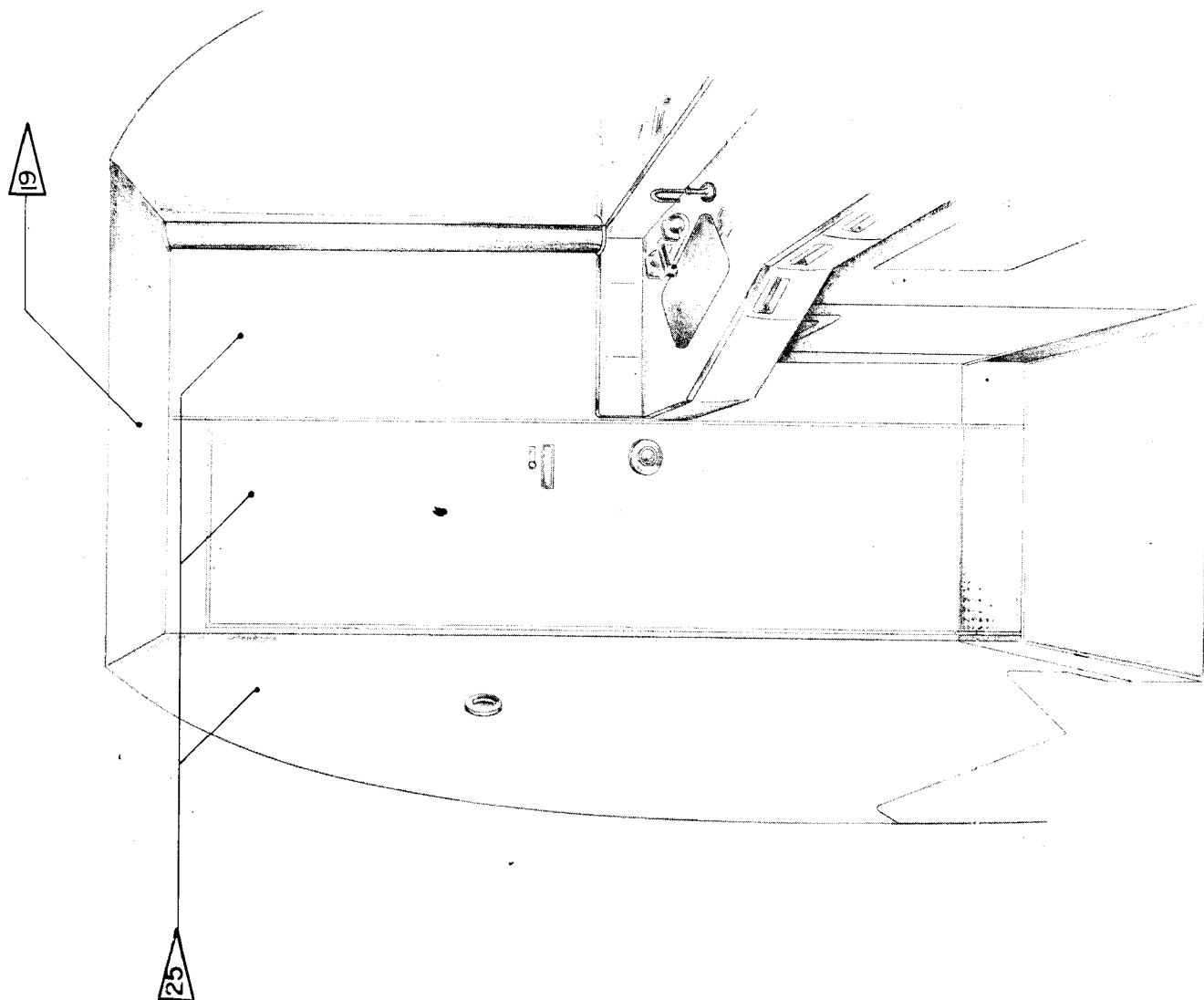
BY PASSENGER ACCOMMODATIONS

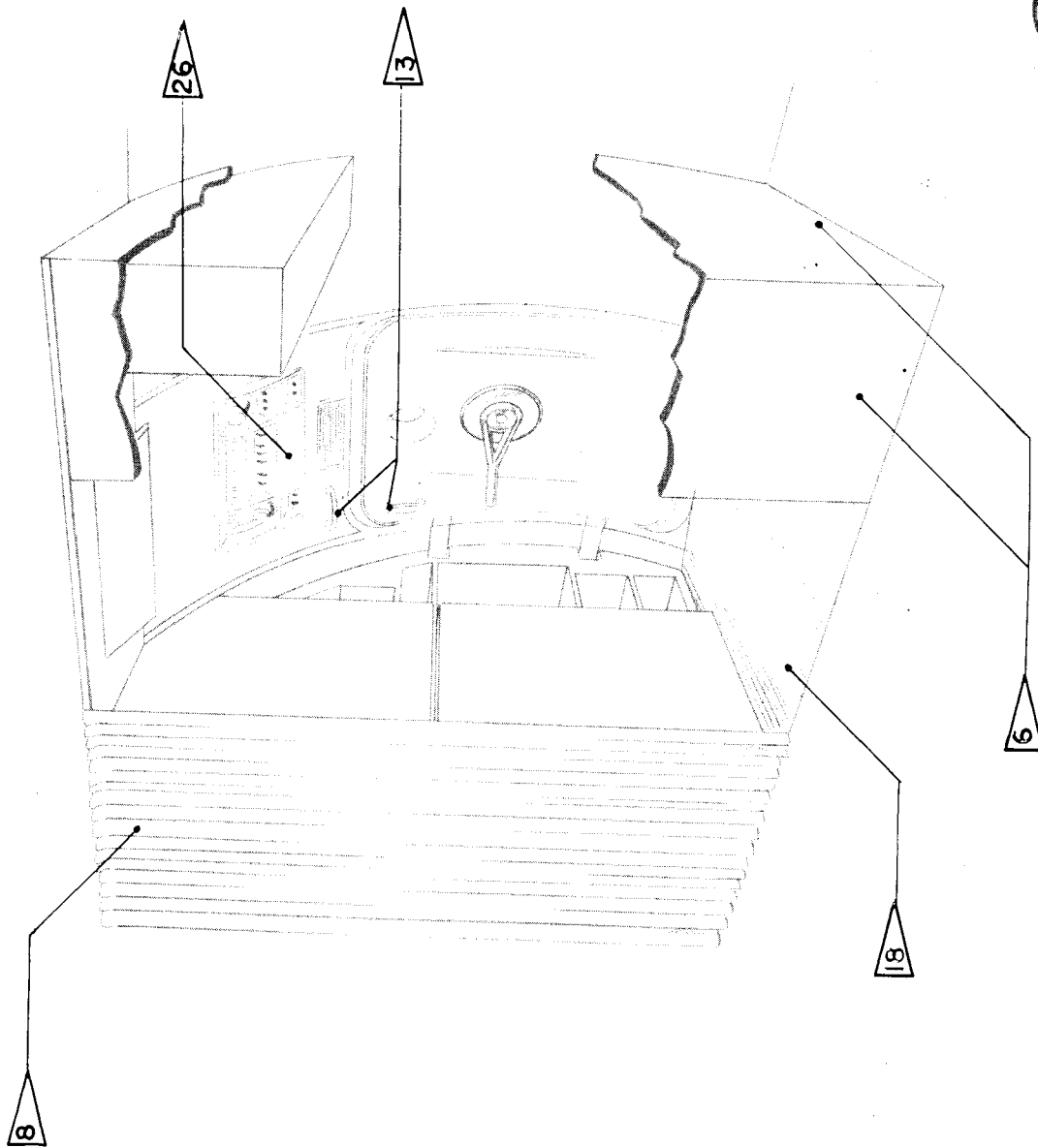
Fwd Toilet

LOOKING IN

ILLUSTRATION

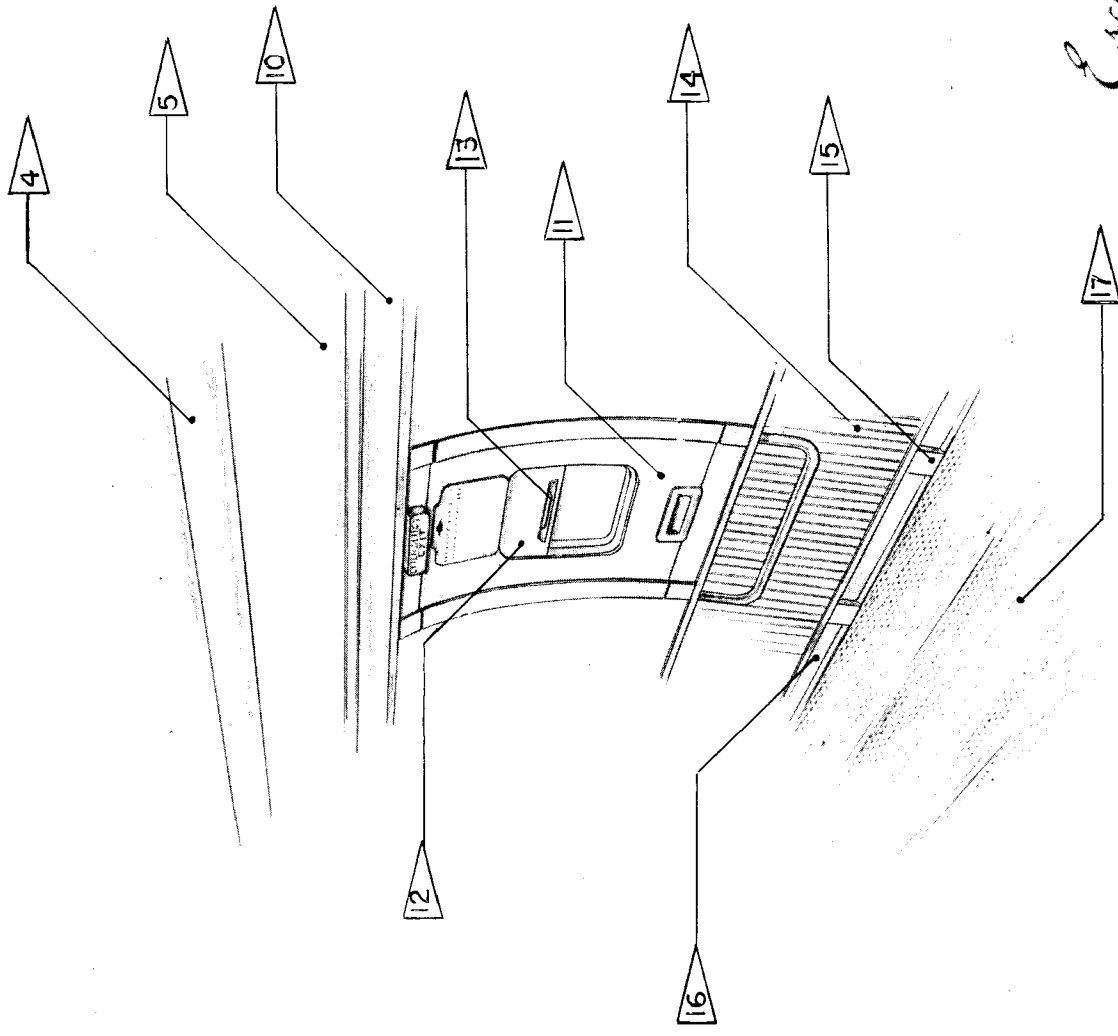
BY PASSENGER ACCOMMODATIONS





Galley
LOOKING OUTBOARD

ILLUSTRATION
BY PASSENGER ACCOMMODATIONS

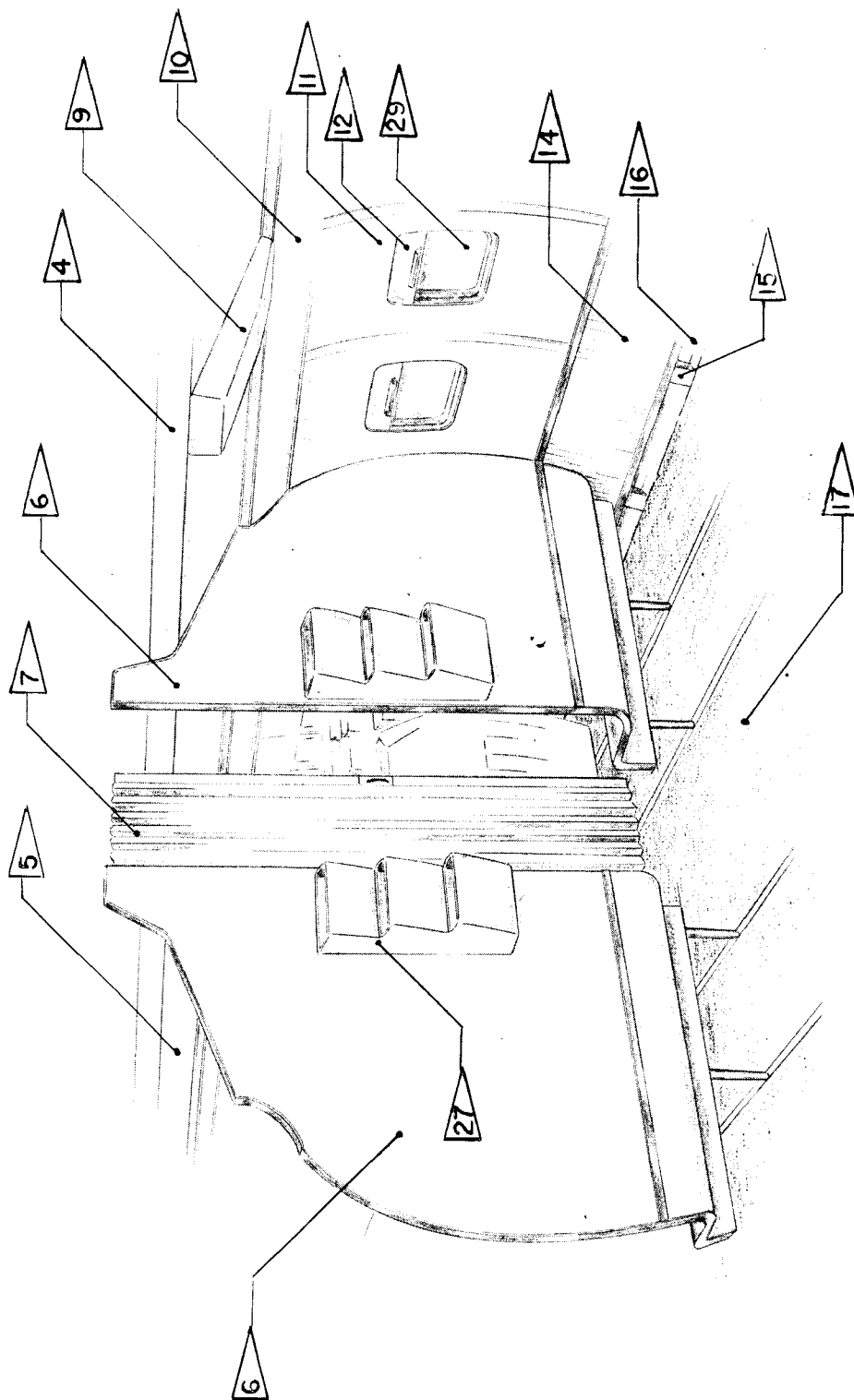


Escape Hatch

LOOKING AFT

ILLUSTRATION

BY PASSENGER ACCOMMODATIONS

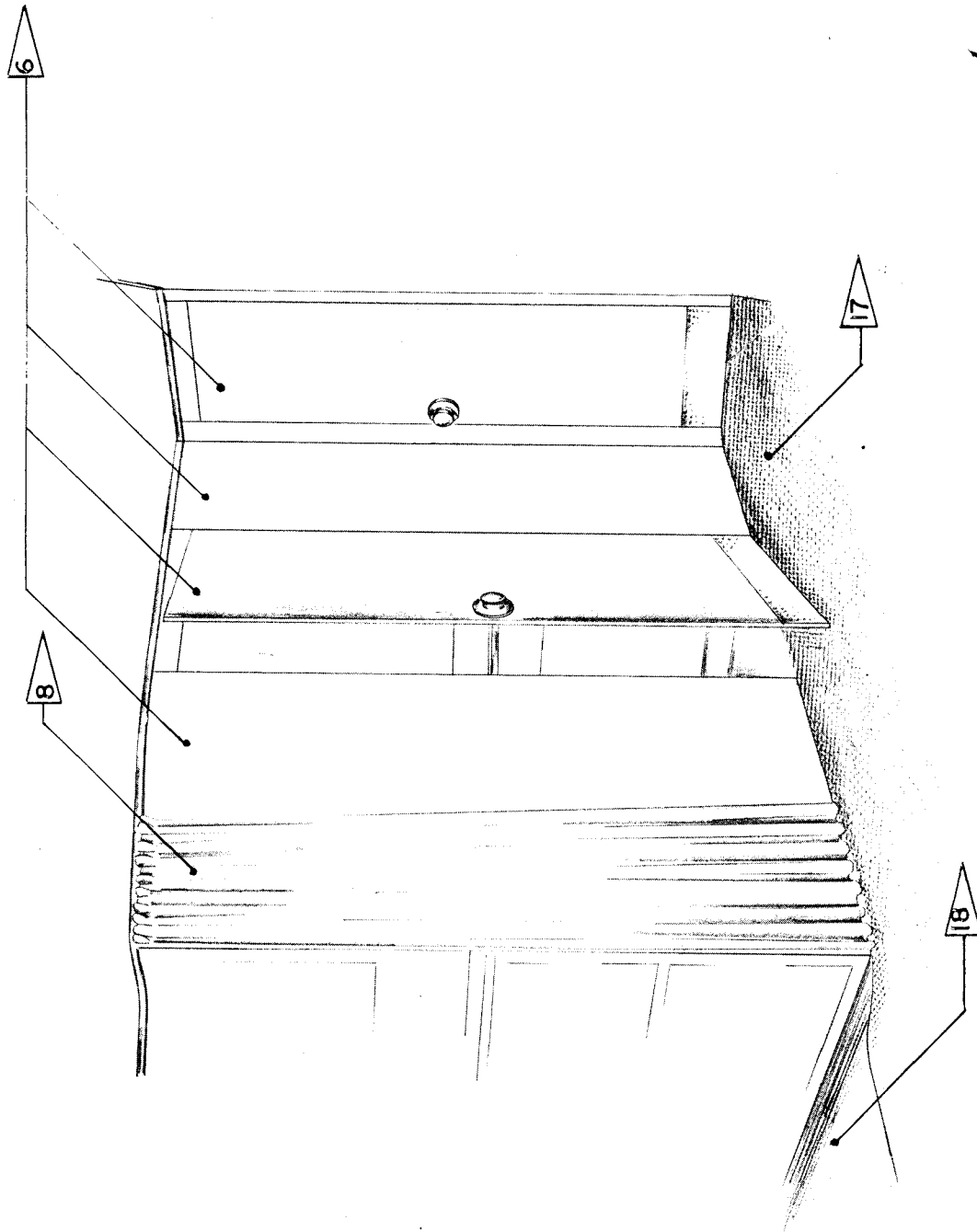


Class Partition

LOOKING FWD

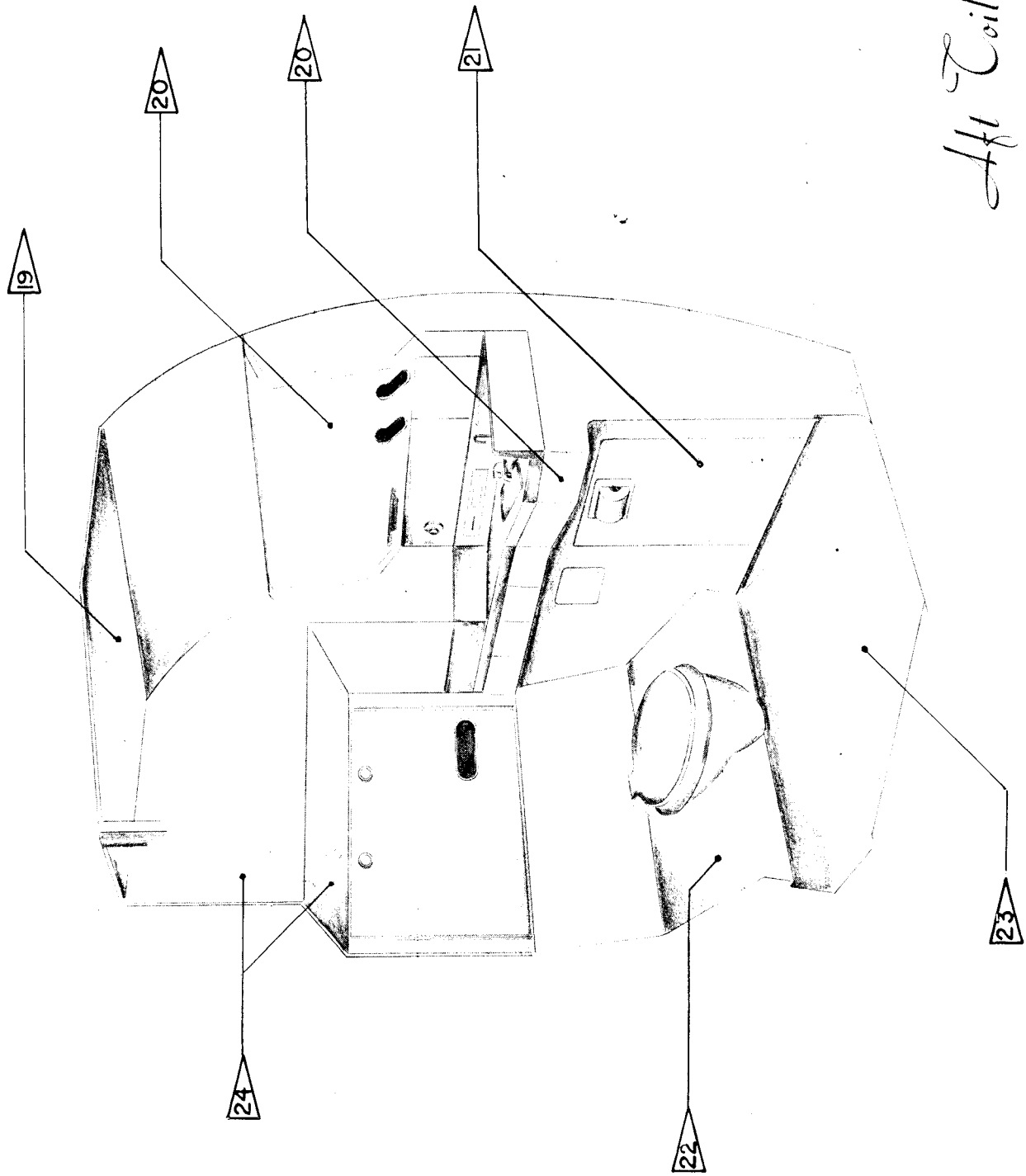
ILLUSTRATION

BY PASSENGER ACCOMMODATIONS



Aft Area
LOOKING OUTBD.

ILLUSTRATION
BY PASSENGER ACCOMMODATIONS

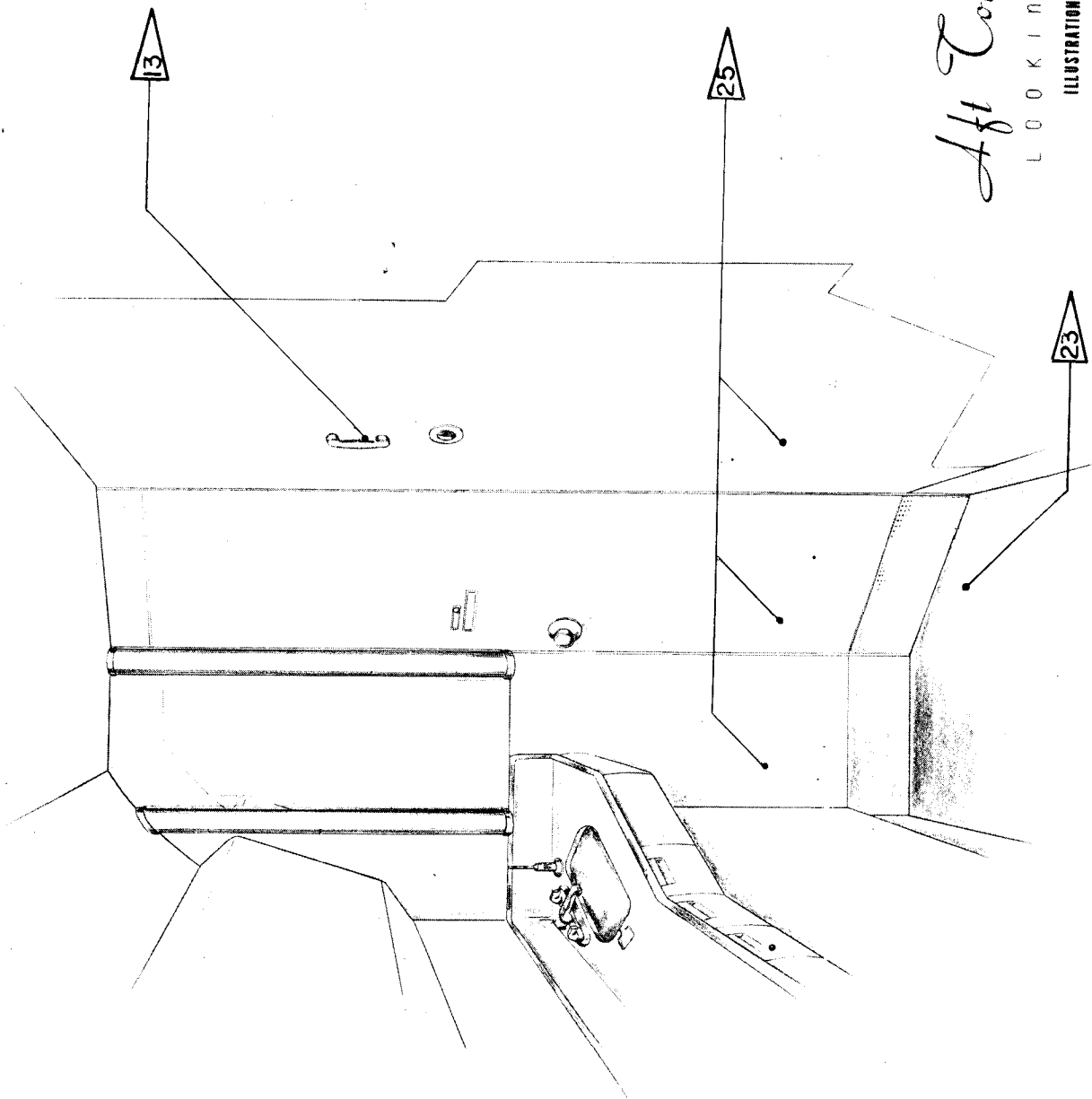


Aft Toilet

LOOKING AFT

ILLUSTRATION

BY PASSENGER ACCOMMODATIONS



Aft Toilet

LOOKING FORWARD

ILLUSTRATION

BY PASSENGER ACCOMMODATIONS

IDENTIFICATION CHART OF TYPICAL MATERIALS

INDICATOR	AREAS	707/720	727	VENDOR INFORMATION
1	CURVED CEILLINGS	Vinyl Coated Fabric (10-60199-114) ✓ 10-60199-100 B-21		Duracote Corp. Duratrim Style 720S-C66 Color #495
2	LOWERED CEILLINGS	Unsupported Semi-Rigid Vinyl (10-60128-15) B-24 ✓ Vinyl Aluminum Laminate (10-60128-170) B-26 ✓	Decorative Sandwich Laminate (10-60782-311) <i>Fabricless</i> <i>100% Fiberglass</i>	Duracote Corp. Patt. #650 Linen Texture, 200A Coating Masland Duraleather #649 BAC #2 Haircell Embossing
3	CLOSURE PANELS	Vinyl Aluminum Laminate (10-60128-138) B-27 ✓	Unsupported Semi Rigid Vinyl (10-60776-15) Vinyl Aluminum Laminate (10-60776-3)	Masland Duraleather #763G BAC #2 Haircell Embossing Columbus Coated Fabrics #SR 4200 Color 948E EX4530 Columbus Coated Fabrice #SR 4200 Color 949E EX4530
4	HATRACK NOSING	Flexible Thermoplastic 65-13/5/0	Vinyl Aluminum Laminate (10-60776-55) ✓	Masland Duraleather #658F BAC #1 Heavy Linen Embossing Masland Duraleather #CM2849 Haircell Embossing Bolta Products Co. 8700 Series BAC White #711
5	UNDERSIDE OF HATRACK	Vinyl Coated Fabric (10-60199-175) ✓ 65-16/12 B-23	Flexible Thermoplastic	Bolta Products Co. 8700 Series BAC Pearl Sand #866P Duracote Corp. Duratrim Style #H-24 Color #009 Duracote Corp. Duratrim Style H-24 Color #2262M

INDICATOR	AREAS	707/720	727	VENDOR INFORMATION
6	AISLE PARTITIONS & BULKHEADS	Rigid Melamine Resin Laminate (10-60199-329) <i>B-21</i> Decorative Sandwich Laminate (10-60199-208) Rigid Silk Screened Vinyl (69-17020-130) Supported Vinyl (10-60199-105) <i>B-22</i>	Rigid Melamine Resin Laminate (10-60782-101) <i>B-20</i> Decorative Vinyl Mylar Sandwich Laminate (10-60782-503)	General Electric Textolite #TT437LT Formica Co. #133 Azure Blue Boeing Facilities Seiberling Tire & Rubber Co. #203 Embossing Seiberling Tire & Rubber Co. Smooth, Dull Finish (Silk Screened Pattern applied at Boeing) L. V. Carpenter #VT 275 #1000 Grass Cloth Embossing, Cotton Backed
7	CLASS CLOSURE	Vinyl Coated Fabric (10-60199-123) <i>B-25</i> <i>10-60199-108</i> U. S. Naugahyde		Duracote Corp. Duratrim Style 720S-0035 Color #803 <i>5-2-60</i> U. S. Rubber Co. BAC Bamboo #346 Type #79331
8	CURTAINS (GALLEY & COAT CLOSET)	Drapery Fabric Drapery Fabric (10-60199-601) <i>B-20</i> Drapery Fabric	Vinyl Coated Fabric (10-60782-205) Drapery Fabric (10-60199-606)	Duracote Corp. Style 720S-006 Color #155 Jack L. Larsen BAC #5023 #850 Stripe La France Industries Skylark Quality-7007 Color #713 & Color #921 E. F. Timme & Sons, Selwyn Pattern, Oyster #7115, BAC #917

INDICATOR	AREAS	707/720	727	VENDOR INFORMATION
9	PASSENGER SERVICE UNITS	Molded Cycolac		Marbon Chemical Division of Borg-Warner Co. BAC White #711, Smooth Finish
10	LIGHT COVE	Vinyl Aluminum Laminate (10-60128-8) Mylar Aluminum Laminate (10-60199-402) <i>BPP</i>	Molded Cycolac	Marbon Chemical Division of Borg-Warner Co. BAC White #773, Smooth Finish
11	WINDOW PANELS & MULLIONS	Vinyl Aluminum Laminate (10-60128-8) ✓ Laminated Vinyl Aluminum Laminate (10-60128-228) <i>BPP</i>	Vinyl Aluminum Laminate (10-60776-20)	Masland Duralcather #649 BAC #2 Haircell Embossing Seiberling Tire & Rubber Co. #101 Embossing
12	WINDOW SHADES	Flexible Opaque Vinyl Mylar Laminate ✓	Vinyl Aluminum Laminate (10-60776-1)	Polyplastex United Inc. EAL Gold Chop-150G on Ivory 555 APWPT/M <i>Polystyrene</i> Columbus Coated Fabrics 052B/2246G SR 4169 EXP 4825
13	WINDOW SHADE HANDLES OR ASSIST HANDLES	Molded Zytel #101 Nylon Plastic <i>65-2013 BPP</i> <i>65-3768-1 BPP</i>	Vinyl Mylar Laminate	Seiberling Tire & Rubber Co. BAC #744 color #203 Embossing Seiberling Tire & Rubber Co. BAC #866 color #203 Embossing E. I. DuPont DeNemours Inc. BAC #774 Matte Finish E. I. DuPont DeNemours Inc. BAC #7034 Smooth Finish

INDICATOR	AREAS	707/720	727	VENDOR INFORMATION
14	DADO PANELS	Vinyl Aluminum Laminate (10-60128-64) 65-4113-1N B75 ✓		Masland Duraleather BAC #1 Heavy Linen Embossing Masland #51
15	AIR RETURN GRILLE GAP COVERS	Mylar Aluminum Laminate (10-60199-401)	Vinyl Aluminum Laminate (10-60776-9)	Seiberling Rubber Co. Seiberling #101 Embossing
16	AIR RETURN GRILLES	Vinyl Aluminum Laminate (10-60128-71) 69-8823	Vinyl Aluminum Laminate (10-60776-29)	Columbus Coated Fabrics #ML 413 Gold (Colovin)
17	CABIN CARPETING	Matte Molded Fiberglas BAC Aqua #407 68-8963 B78 ✓ Wool Carpet (10-60214-36) 2-11-88 ✓ Nylon Carpet (10-60214-55) Cotton backing ✓	Matte Molded Fiberglas BAC Gold #833	Masland Duraleather BAC #2 Haircell Embossing Masland #723G Masland Duraleather Haircell Embossing Masland #610E Per BAC Process Spec BAC 5427 Collins & Aikman Color K3-1223, C-117 54 Collins & Aikman Royal TWE 4075 A. M. Karagheusian YK 2314 HLR
18	ENTRY MATS	Vinyl Floor Covering BAC Black #759 Rubber Mats 65-4861 B69 ✓	Vinyl Floor Covering BAC Blue #5062	Duracote Corp. Pattern #20 V238-18VS U. S. Rubber Co., Simulated Rug Texture, BAC Gray #737 Sawyer Tower Corp. Style 6098-2 Dynel Fabric
19	TOILET CEILING	Vinyl Coated Fabric (10-60199-130) B79 ✓	2-IN FIBER GLASS BATS GLASS	Per Weber Aircraft Corp. Spec., White Color
20	DISPENSER CABINET & COUNTER APRON	Matte Molded Fiberglas	Matte Molded Fiberglas	Masland Duraleather BAC #2 Haircell Embossing Masland #703G
21	COUNTER BASE & LOWER CABINETS	Unsupported Semi Rigid Vinyl (10-60128-112)	Decorative Vinyl Sandwich Laminate (10-60782-511)	Polyplastex United Inc. Panflex "Pink Pearl" Unsupported HEM 5-024 EAL-841-600-B-727 APST/M

INDICATOR	AREAS	707/720	727	VENDOR INFORMATION
22	TOILET SHROUDS <i>22, 23, 24</i>	Formed Royalite	Fiberglas (Painted)	U. S. Rubber Co. 500 Series, BAC Gray #725
23	TOILET FLOOR PANS	Formed Royalite (Fiberglas Reinforced) <i>65-6179-2PD 876</i>	Unsupported Laminated Vinyl (10-60776-41)	Weber Aircraft Corp. per BAC Spec 10-60862
24	STA 1440 SOFFIT	Vinyl Aluminum Laminata (10-60128-8) <i>10-60128-8</i>	Not Applicable	U. S. Rubber Co. 5000 Series, BAC Gray #725
25	INBOARD WALL COVERING INSIDE TOILETS	Decorative Sandwich Laminata (10-60199-230) Unsupported Semi Rigid Vinyl (10-60128-13) Decorative Sandwich Laminata (10-60199-228)	Polyplastex United Inc. EAL-851-F-Special APWPT/AP Metallic with White Threads	Polyplastex United Inc. EAL-851-F-Special APWPT/AP Metallic with White Threads
26	ATTENDANTS CALL PANELS	Molded Thermoplastic	Rigid Melamine Resin Laminata (10-60782-101) <i>10-60782-101</i>	Masland Duraleather BAC #2 Haircell Embossing Masland #951D
				Polyplastex United Inc. EAL-841-600 APSIL-T/M Pink with Pearl Flakes color
				Formica Co. #133 Azure Blue Satin Finish 1/32" thickness
				Bolta Products Co. 6700 Series, BAC White #778 Haircell Texture
				Bolta Products Co. 6700 Series, BAC Blue #568 Haircell Texture

INDICATOR	AREAS	707/720	727	VENDOR INFORMATION
27	MAGAZINE RACKS	Molded Thermoplastic	Not Applicable	Bolta Products Co. 6700 Series, BAC White #778 Haircell Texture.
28	ATTENDANT SEAT COVERING OR LOUNGE SEATS <i>Panel</i> <i>Headrest</i> <i>Seatback</i>	Leather, Top Grain (10-60782-703) <i>AS 67</i>		Blanchard Bros. & Lane Inc. IPA-0231, Natural (Haircell) Texture
		Naugahyde		U. S. Rubber Co. MS-1 Silver Color Midas (Haircell) Texture, Grade 15210-A
			Leather, Top Grain (10-60782-702)	Lackawanna Leather Co. AL-925 Apricot
29	WINDOW PANES	Plexiglas #55 <i>10 x 10</i> <i>B 77</i>	Plexiglas #55	Rohm & Haas Inc., Plexiglas #55 Transparent, Tinted #2256 per Spec MIL-P-8184
	<i>Proposed</i> <i>Panel</i> <i>Seatback</i>			

D G Shaw