

CABIN



## BUNSEN BURNER – AGAIN?

---

Scott Campbell

March 5, 2019  
IAMFTF – Savannah, GA



# Bunsen Burner Drip Flame Time

## Fire Test Handbook, Chapter 1

### 1.2.3 Drip Flame Time

Drip flame time is the time in seconds that any flaming material continues to flame after falling from the specimen to the floor of the chamber. If no material falls from the specimen, the drip flame time is reported to be 0 seconds, and the notation "No Drip" is also reported. If there is more than one drip, the drip flame time reported is that of the longest flaming drip. If succeeding flaming drips reignite earlier drips that flamed, the drip flame time reported is the total of all flaming drips.

Is this practical? Should this be restated to record the longest continuous drip flame time? Most all drips fall on top of each other.

## Bunsen Burner 60-degree Wire Test Applicability

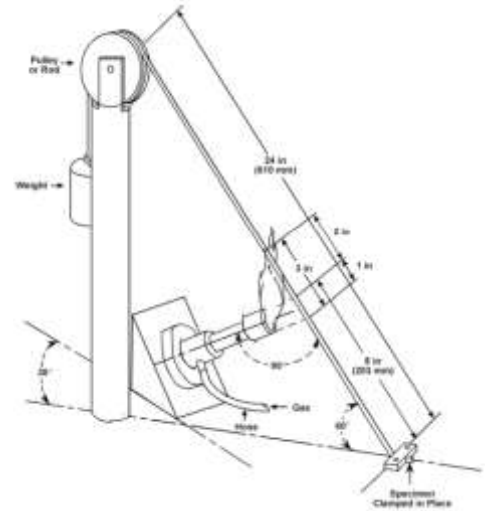
14CFR 25.1713(c) [25.869(a)(4)]

What is applicable? Just electrical wire?

What about shrink wrap tubing? Most regard shrink wrap tubing as a thermoplastic and test to a 12-second vertical BB test. Others require a 60-degree BB test.

Acceptable ways to test shrink wrap tubing- suspended alone, one a properly sized wire, or on a properly sized metal dowel?

Can shrink wrap tubing over a wire be considered a small part?



# What to think of bringing up topics like these?

What Some Think



What Others Think

